

# FORCE

## Tension and Compression Sensor Type K25



- ▶ Wire strain gauges in four-conductor full-bridge circuit.
- ▶ Control resistance for final adjustment of the measuring range.
- ▶ All measuring ranges that are specified in Newton can also be supplied in kg ranges.

### Options for all Force Transducers:

Indication of measured values with ALMEMO® devices in kg      Order No. OK9000K

Indication of measured values with ALMEMO® devices in N and kg      Order No. OK9000NK

### Option only type K25:

Higher accuracies  
For tension  $<\pm 0.05\%$  of final value,  
for tension and compression  $<\pm 0.1\%$  of fin. val.  
Drift error 0.04% per 30min      Order No. OK90251

### Accessories:

Knuckle eyes with external thread M 12 (2 pcs)  
(dimensions in mm: D = M 12, E = 16, F = 32, G = 12, L = 54)      Order No. ZB902512

Knuckle eyes with external thread M 24 x 2 (2 pcs)  
(dimensions in mm: D = M 24 x 2, E = 26, F = 62, G = 25, L = 94)      Order No. ZB902524

### Types:

Measuring range 0.02kN 0.05kN, 0.1kN, 0.2kN, 0.5kN, 1kN, 2kN, 5kN or 10kN  
please specify

**Order No. FKA0251**

Measuring range 20kN

**Order No. FKA0252**

Measuring range 50kN

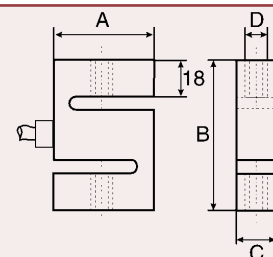
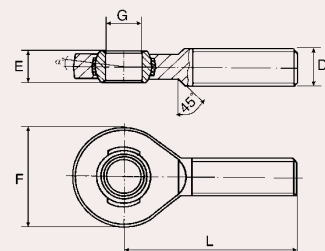
**Order No. FKA0255**



All ALMEMO® devices provide easy push-button adjustment of no-load and final value.

### Technical Data:

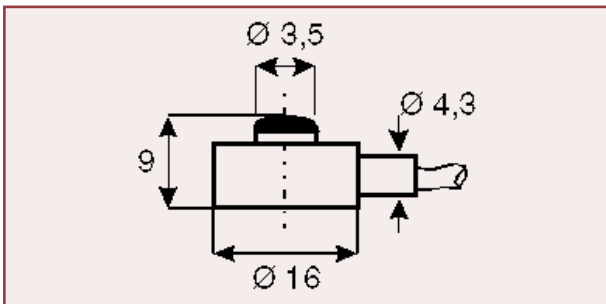
Max. load limit:	150% of final value
Maximum dynamic load:	70% of final value
Reference temperature:	23°C
Cable:	3m long, with axial ALMEMO® connector
Accuracy for tension:	$<\pm 0.1\%$ of fin. val.
Accuracy for tension and compression:	$<\pm 0.2\%$ of fin. val.
Nominal measuring path:	$<0.15\text{mm}$
Operative range:	-10 to +70°C
Drift error at permanent load:	$<0.07\%$ per 30min
Permissible lateral forces:	$\pm 60\%$ of fin. val.
Protection system:	up to 1kN: IP 65, from 2kN: IP 67
Material:	up to 1kN: aluminium 2 to 50kN: stainless steel
Dimensions in mm	up to 10kN: A=50, B=75, C=20, D=M12 20kN, 50kN: A=90, B=100, C=40, D=M24 x2



## Compression Sensor Type K22



- ▶ Wire strain gauges in four-conductor full-bridge circuit.
- ▶ Control resistance for final adjustment of the measuring range.
- ▶ All measuring ranges that are specified in Newton can also be supplied in kg ranges.



### Type:

Measuring range  
200N, 500N, 1000N or 2000N  
please specify

**Order No. FKA022**



All ALMEMO® devices provide easy push-button adjustment of no-load and final value.

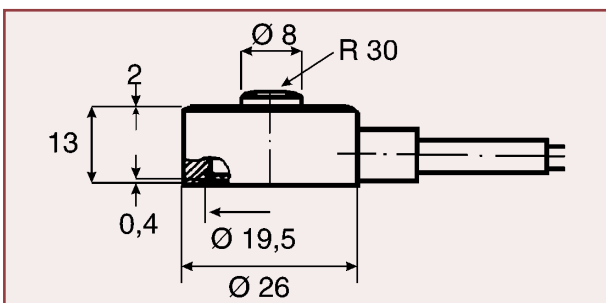
### Technical Data:

Max. load limit:	150% of final value
Maximum dynamic load:	70% of final value
Reference temperature:	23°C
Cable:	radial, 3m long with ALMEMO® connector
Accuracy:	<±0.5% of final value
Nominal measuring path:	<0.1mm
Operative range:	-10 to +50°C
Drift error at permanent load:	0.1% per 30min
Protection system:	IP 65
Material:	stainless steel

## Compression Sensor Type K1613



- ▶ Wire strain gauges in 4-conductor full-bridge circuit.
- ▶ Control resistance for final adjustment of the measuring range.
- ▶ All measuring ranges that are specified in Newton can also be supplied in kg ranges.



### Type:

Measuring range  
0.5kN, 1kN, 2kN, 5kN, 10kN or 20kN  
please specify

**Order No. FKA613**



All ALMEMO® devices provide easy push-button adjustment of no-load and final value.

### Technical Data:

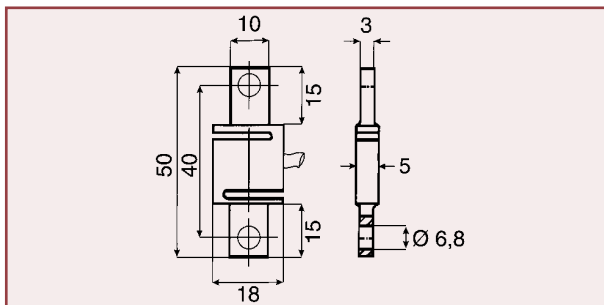
Max. load limit:	150% of final value
Maximum dynamic load:	70% of final value
Reference temperature:	23°C
Cable:	radial, 3m long with ALMEMO® connector
Accuracy:	<±0.5% of final value
Nominal measuring path:	<0.1mm
Operative range:	-10 to +50°C
Drift error at permanent load:	0.1% per 30min
Protection system:	IP 65
Material:	stainless steel

# FORCE

## Tension and Compression Sensor Type K1368



- ▶ Wire strain gauges in 4-conductor full-bridge circuit.
- ▶ Control resistance for final adjustment of the measuring range.
- ▶ All measuring ranges that are specified in Newton can also be supplied in kg ranges.



### Type:

Measuring range  
10N, 20N, 50N, 100N, 200N  
please specify

**Order No. FKA368**

 All ALMEMO® devices provide easy push-button adjustment of no-load and final value.

### Technical Data:

Max. load limit:	150% of final value
Maximum dynamic load:	70% of final value
Reference temperature:	23°C
Cable:	3m long, with ALMEMO® connector
Accuracy for tension:	<±0.2% of final value
Accuracy f. tension & compress.:	<±0.3% of final value
Nominal measuring path:	<0.15mm
Operative range:	-5 to +45°C
Drift error at permanent load:	<0.1% per 30min
Permissible lateral forces:	not allowed
Protection system:	IP60
Material:	stainless steel